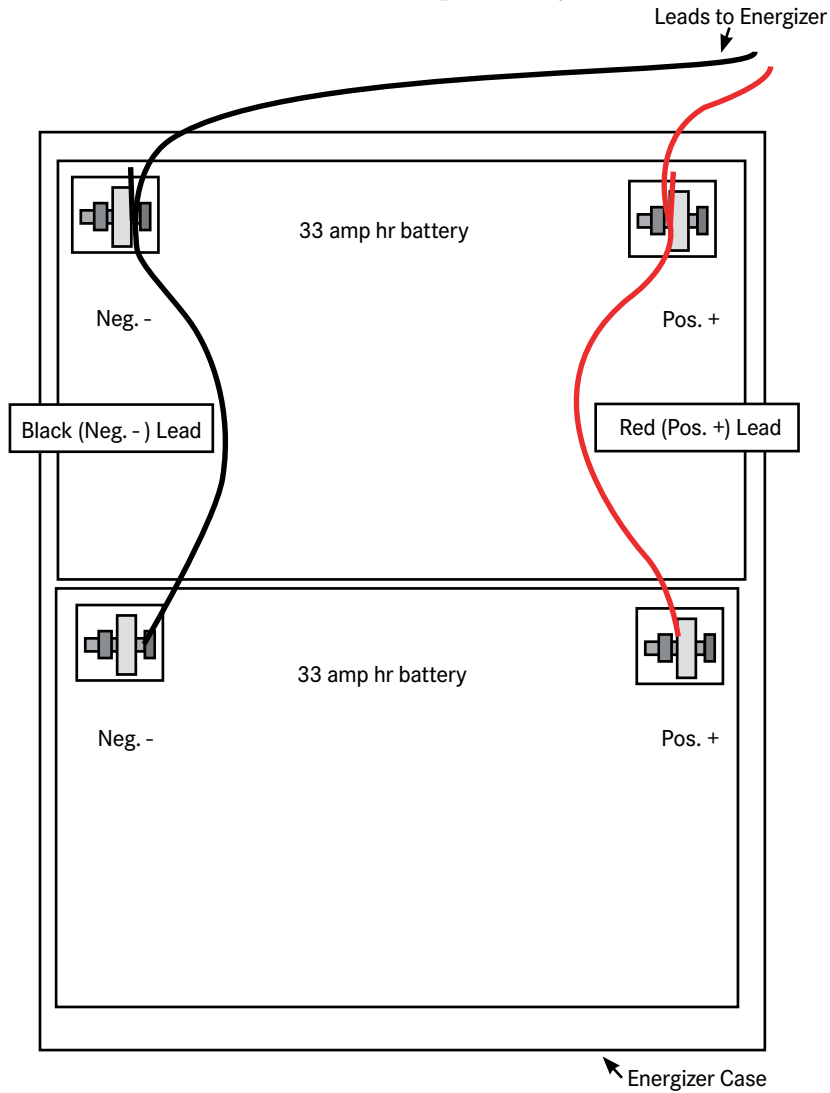


66 Amp Hr. Assembly Instructions

#121800

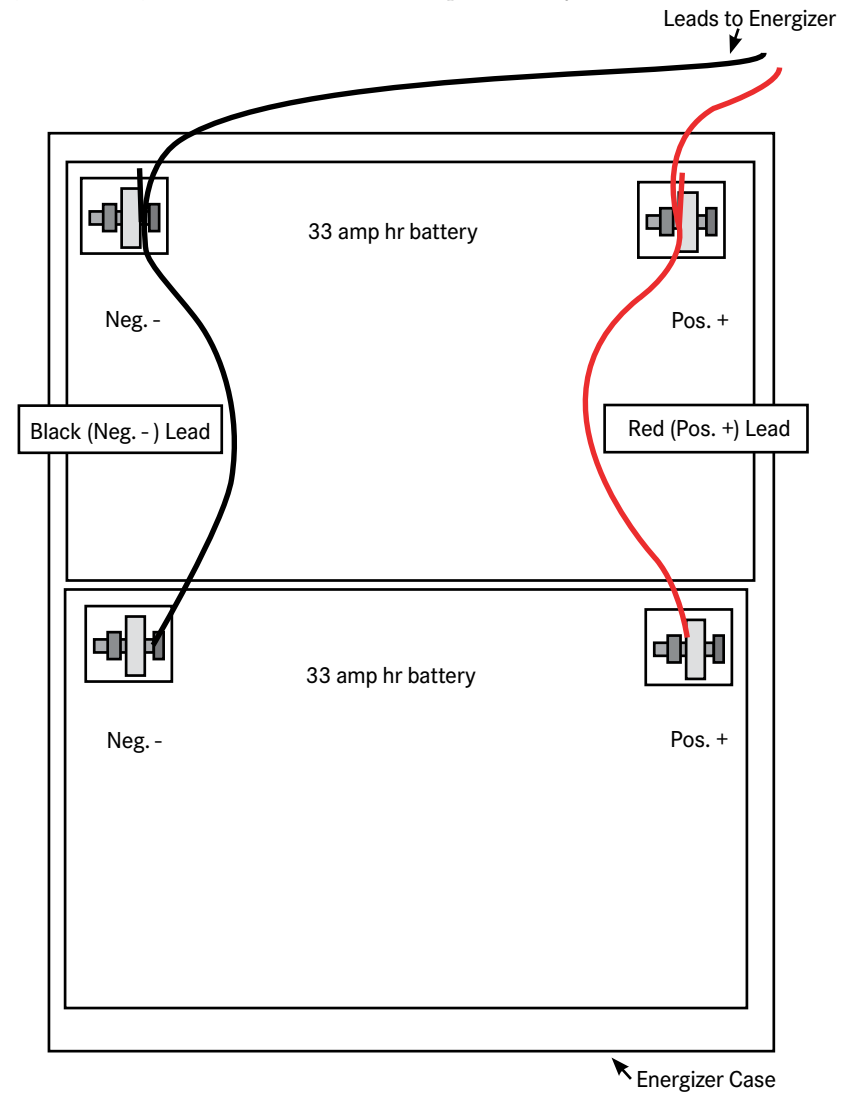
Lay the two 33/35 amp hr batteries in lower case on IntelliShock unit (32B, 55B and 88B). By hooking the battery's parallel (Positive to Positive and Negative to Negative) we achieve a 66/70 amp hr. battery.



66 Amp Hr. Assembly Instructions

#121800

Lay the two 33/35 amp hr batteries in lower case on IntelliShock unit (32B, 55B and 88B). By hooking the battery's parallel (Positive to Positive and Negative to Negative) we achieve a 66/70 amp hr. battery.



www.premier1supplies.com

800-282-6631

2031 300th St., Washington, IA 52353

© Copyright 2016, Premier1Supplies. All rights reserved.



www.premier1supplies.com

800-282-6631

2031 300th St., Washington, IA 52353

© Copyright 2016, Premier1Supplies. All rights reserved.